

### Safety instructions

Before operating the unit, please read this manual thoroughly and retain it for future reference. Failure to observe these instructions might damage the device. The device may only be installed and connected by professional electrical contractors. All relevant rules and regulations valid in the country of use, as well as KNX guidelines, apply.

### Description

Chopin KNX is a mechanical switch compatible with all Chopin cover plates, both 1- and 2-gang. The Chopin's levers control various functions, using both short and long press. Additional comfort functions can be activated including room toggle, scene sequencer and RGB sequencer. The multicolour LED backlight provides status feedback and can be used as night light. The Chopin KNX also has a built-in temperature sensor and integrated thermostat logic. A scene controller can control up to 6 scenes and 8 outputs per scene.

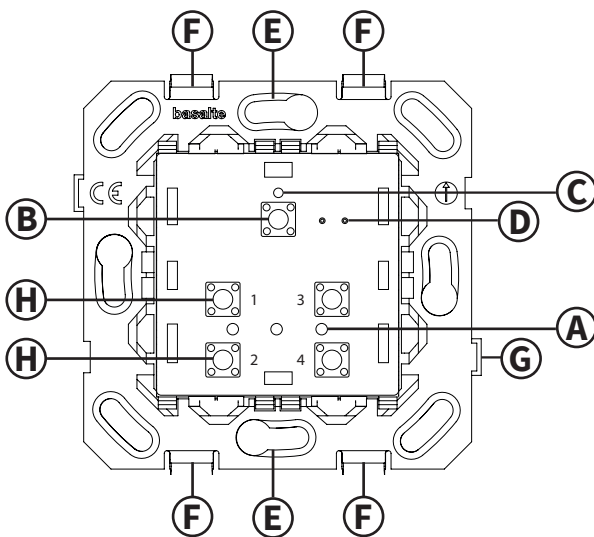
### Components

#### Chopin KNX

Model No. 0220-02

#### Compatible Chopin covers

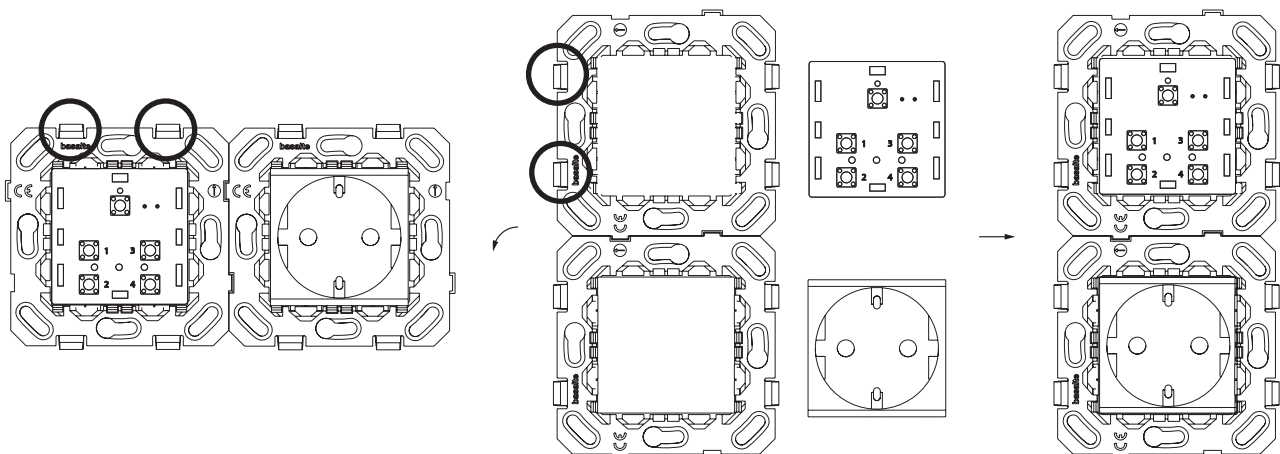
Visit [chopin.basalte.world](http://chopin.basalte.world) to configure your Chopin cover.



- A RGB LED's
- B Program button
- C Programming LED
- D Temperature sensor connector pins\*  
\*The sensor is located in the Chopin cover plate (not included).  
\*2-gang covers only have one temperature sensor, check the back of the cover to verify its position.
- E Opening to screw the Chopin switch to the wall box
- F Clips to mount the cover plate
- G Alignment guides for 2-gang installations



When using vertical oriented Chopin covers, the clips to mount the cover plate need to be oriented vertically. Make sure to click out electronics from the socket adapter and turn the electronics 90° counter-clockwise.



### Installation and commissioning

- Use a standard European back box with screws. The distance between the screws needs to be 60mm. The required depth is 30mm, although additional depth should be reserved for connecting the device. For 2-gang Chopin, use a 2-gang European back box with a centre to centre distance of 71mm. To verify your compatible back box, please refer **to the back box application note on basalte.world**.
- Mount the Chopin with the programming button upwards. Use screws with a countersunk, flat head.
- Connect the switch to the KNX bus according to the KNX guidelines.
- Load the physical address into the Chopin switch from ETS via the KNX bus.
- Commission the Chopin switch using ETS and load the configuration into the device.
- Please refer to the software manual to configure the Chopin switch.



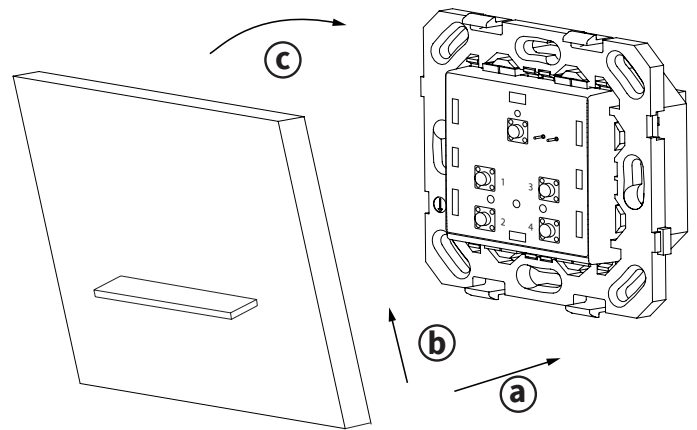
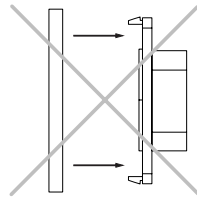
**Do not apply too much force screwing Chopin electronics to the backbox, otherwise you risk the levers to not function properly.**

### How to mount the Chopin front cover (not included)

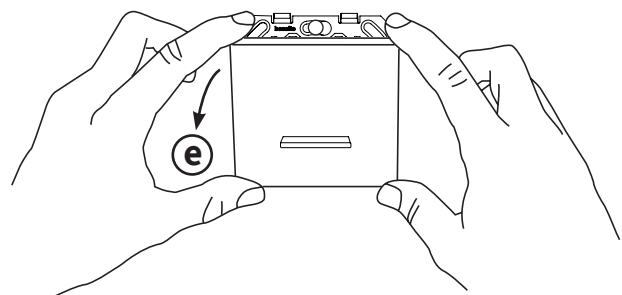
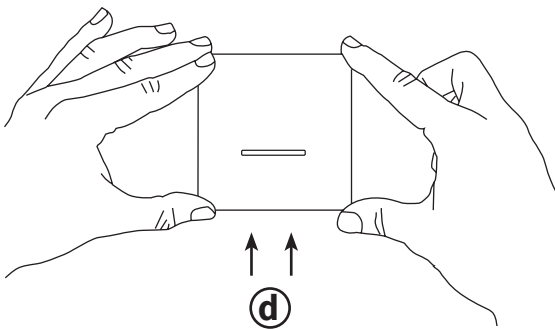
- Place the Chopin front cover over the lower clips
- Push the Chopin front cover upwards and tilt towards the wall
- Attach the Chopin front cover over the top clips



Pushing the cover straight into the clips without pushing upwards and lifting might damage the Chopin electronics.



### How to remove the Chopin cover (not included)



- Push the cover upwards
- Tilt the cover away from the wall

### Technical data

**Current consumption KNX bus:** 10mA

**Ambient temperature:**

Operation: -5°C to 45°C

Storage: -15°C to 55°C

Transport: -15°C to 55°C

**Max. humidity:** 93% relative humidity,  
no moisture condensation

**Protection class:** II

**Type of protection:** IP 20

**Certification:** CE

