

# DM KNT 03B/03P/03N

KNX Recessed mounted Motion/Presence Detector, 360°



- KNX detector with high-quality, cutting-edge PIR technology, for recessed ceiling installation.
- It can be configured in the following operating modes:
  - Motion detector
  - Presence detector
  - Constant brightness regulation
  - Twilight Switch
- 6 Motion Detection Channels + 1 Constant Brightness Control.
- Detection channels allow:
  - Lighting Control
  - HVAC Control
  - Movement Monitoring
- Master/Slave Function
- Automatic or Semi-Automatic Operating Mode
- Incorporates a luminosity and temperature sensor

- Possibility to disable the detection LED
- Constant regulation of up to 4 groups by compensation
- 5 levels of detection sensitivity
- Configuration and adjustment using ETS
- Elegant and clean design

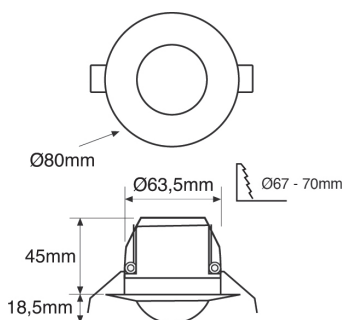
Application examples: residential communities, toilets, schools, offices, hotels, meeting rooms, hospitals, etc.



## Technical characteristics

REFERENCE	DM KNT 03B	DM KNT 03P	DM KNT 03N
Power source	21Vdc - 32Vdc		
Own consumption	9.3mA		
Channels	6 + 1 Constant Brightness Control		
Detection Angle (°)	360°		
Mounting height [m]	2.5		
Detection diameter [m]	7		
Programming through	ETS5 or later		
Start-up	System Mode		
Timing range	1s - 65535s (18h)		
Luminosity range	5 to 2000 lux (+Disabled)		
Operating temperature	-5...45°C		
Ingress Protection	IP 20		
Isolation	Class II		
Regulations	KNX Standard 2.0 EN60669-1, 2-1 and 2-3		
Directives	Electromagnetic Compatibility 2014/30/ EU, RoHS 2011/65/EU		
Color	White	Grey	Black

## Dimensions



## Coverage

