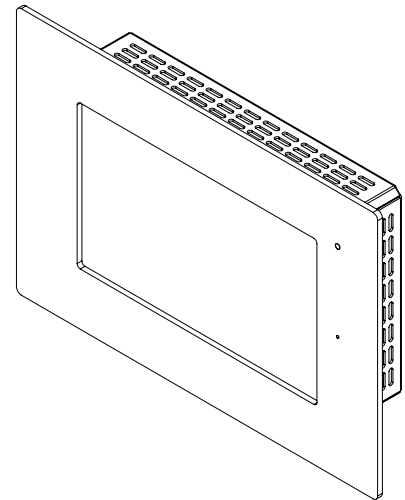


**FEATURES**

Control unit for KNX-based home and building automation installations, featuring a 7” colour TFT touch screen, integrated web server, and video door phone function.

- 7” colour TFT widescreen display
- Integrated stereo speakers and microphone
- Thermostat function (temperature probe not included)
- Real-time clock with backup battery
- Integrated KNX bus coupling unit
- Functionality highlights:
  - Simple, user-friendly navigation through floorplans and zones
  - Control and monitoring of any KNX device
  - HVAC control
  - Scene controller
  - Weekly time schedules
  - Alarm monitoring with event log
  - Presence simulation with day and night schedules
  - Logic functions (logic gates, comparators, timers, etc.)
  - Integrated web server allows access from any PC, PDA, or smart phone
  - Video door phone function, with full duplex audio and echo cancellation (\*)
  - IP camera monitoring (\*)
  - GSM remote control and event notification (requires GSM expansion module)
- Robust design – fanless, no moving parts
- Very low power consumption, with energy saving mode
- Interchangeable front frames, available in multiple finishes



(\*) Please check compatibility at [www.iddero.com](http://www.iddero.com)

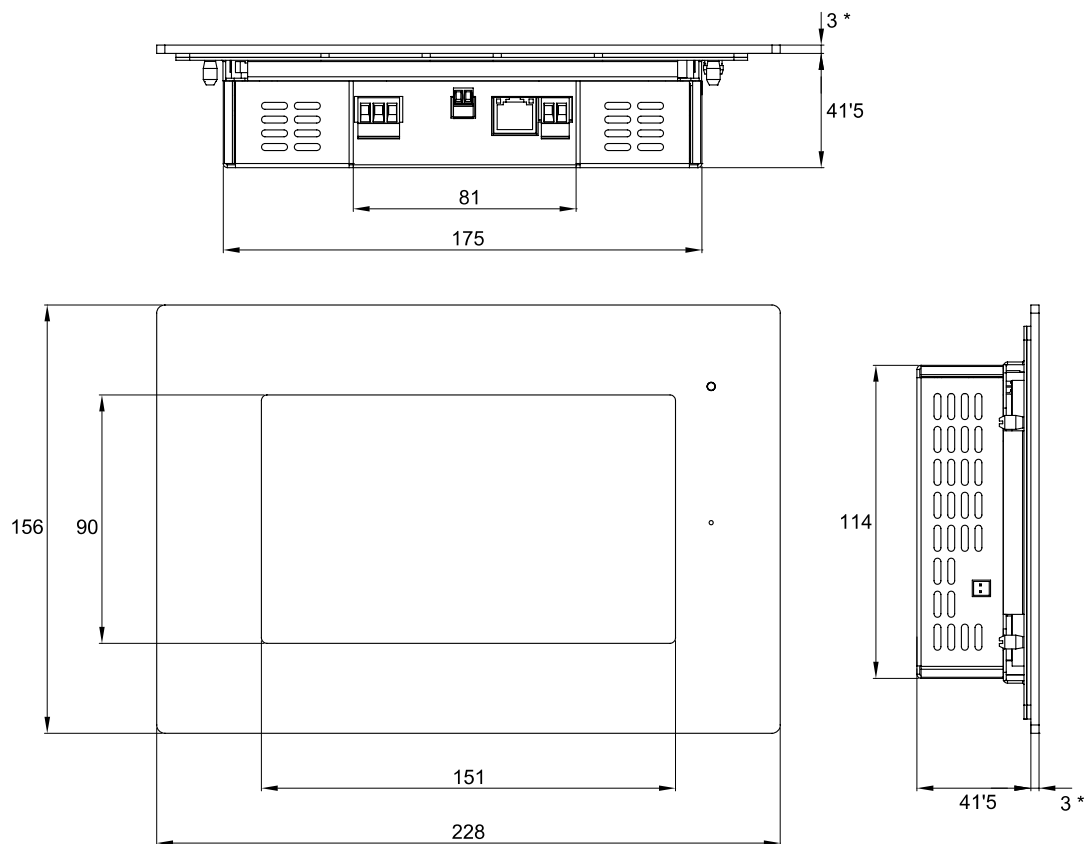
**TECHNICAL SPECIFICATIONS**

<b>Mechanical</b>	Form factor	In-wall, flush mounted unit		
	Dimensions	228 x 156 x 44.5-45.5 mm		
	Weight	750 g (excluding frame)		
	Mounting box	Wall mount-box, ref. E-C557 Dimensions: 200 x 130 x 60 mm		
<b>Environment</b>	Storage temperature	-20..70 °C		
	Operating temperature	0..50 °C		
	Relative humidity	10..90% (non-condensing)		
<b>Power supply</b>	Supply voltage	Nominal supply voltage 12 VDC		
	Power consumption	6 W typical, 15 W maximum		
	Connection	Pluggable terminal block, 5.08 mm pitch		
	Recommended wiring	Conductor section 1.5 mm <sup>2</sup>		
	Power supply unit	24 W PSU included, DIN-rail mounted. Width: 77 mm Input voltage 85-264 VAC @ 50-60 Hz		
<b>User interface</b>	Display	Type	Widescreen 7” TFT display (15:9)	
		Resolution	800 x 480 pixels	
		Colour	24 bpp (16.7 million colours)	
		Backlight	Low power LED backlight, with energy saving mode	
		Luminance	400 cd/m <sup>2</sup> , software controlled (25..100%)	
		Viewing angle	160 x 160°	
	Audio	Touch screen	4-wire resistive touch screen, continuous resolution	
		Speakers	2x 1.5 W stereo speakers	
	Misc.	Microphone	Integrated microphone	
		Indicators	3-colour status led Buzzer	

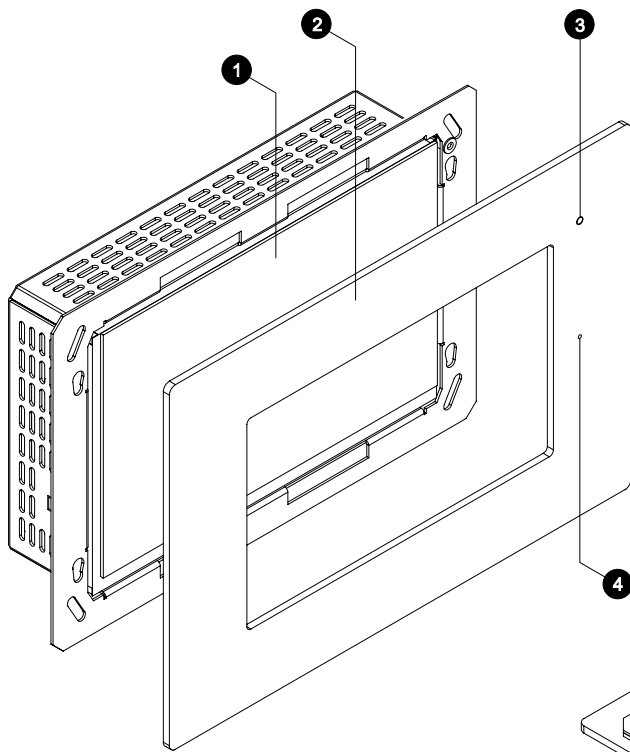
<b>Communications</b>	Ethernet	Type	Ethernet 10/100BASE-T interface
		Connection	RJ45 modular connector
		Rec. wiring	Twisted pair, 0.5 mm <sup>2</sup> section (CAT5)
	KNX	Type	KNX TP1 bus
		Connection	Pluggable terminal block, 3.5 mm pitch
		Rec. wiring	Standard KNX TP1 cable
	Expansion	Type	Communications protocol over RS-485 bus
		Connection	Pluggable terminal block, 5.08 mm pitch
		Rec. wiring	Twisted pair, 0.5 mm <sup>2</sup> section (CAT5)
<b>Inputs</b>	Temp. sensor	Type	Connection of external temperature probe, ref. DW-TS-N1P
		Connection	Two-way male connector, 2.54 mm pitch, with retention tab
		Rec. wiring	Conductor section 0.3 mm <sup>2</sup>
<b>Compliance</b>	Directives	Directive 93/68/EC Directives 2004/108/EC Directives 2002/95/EC and 2002/96/EC	
	Standards	EN 61000-6-1 (EMC: Electromagnetic immunity) EN 61000-6-3 (EMC: Electromagnetic emissions) EN 50090-2-2 (Home and building electronic systems. General technical requirements)	

Specifications subject to change without notice.

**DIMENSIONS AND ELEMENT DESCRIPTIONS**

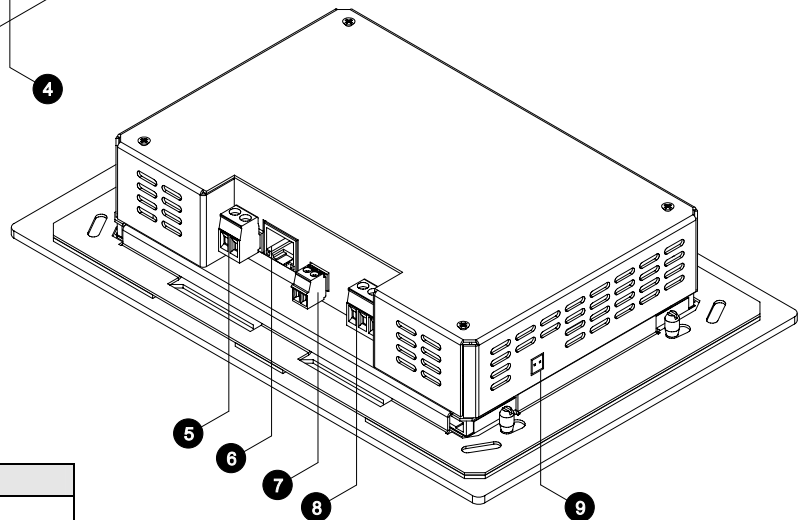


All dimensions in mm.  
(\* ) 4 mm for crystal frame



Main elements:

1. TFT touch screen + speakers (hidden)
2. Front frame
3. LED status indicator
4. Microphone
5. Power supply connector
6. Ethernet connector
7. KNX TP1 bus connector
8. Expansion connector (RS-485)
9. Connector for external temperature probe (no polarity)



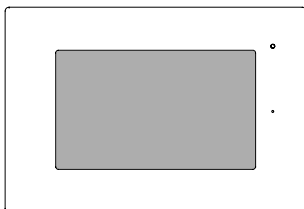
Power supply connector (12 VDC)		
	Pin	Description
	1	+12 VDC
	2	Power supply return

KNX TP1 bus connector		
	Pin	Description
	1	KNX bus (-)
	2	KNX bus (+)

Expansion connector (RS-485)		
	Pin	Description
	1	DATA+
	2	DATA-
	3	Signal ground

**IMPORTANT:** Only qualified electricians should install, service, or manipulate this equipment. Existing regulations for the prevention of accidents must be observed, as well as any national or local codes and regulations and standard safety precautions.

# HC2-KNX



**ES**

**NOTAS DE INSTALACIÓN:**

1. Seleccionar la altura de instalación de forma que permita línea de visión directa
2. No instalar en lugares donde la luz solar incida directamente
3. Preste atención a las instrucciones para el montaje del marco embellecedor. Realice esta operación con cuidado para evitar dañar la superficie de la pantalla táctil.

**EN**

**INSTALLATION NOTES:**

1. Select installation height to allow for direct line of sight
2. Do not expose to direct sun light
3. Please observe the instructions for mounting the front frame. Handle carefully in order to avoid damaging the touch screen surface.

**FR**

**NOTES D'INSTALLATION:**

1. Sélectionnez la hauteur d'installation de façon qu'elle permette ligne de visée directe
2. Ne pas exposer directement au soleil
3. Observez les instructions pour monter le cadre enjoliveur. À manipuler avec soin de manière à ne pas endommager la surface de l'écran tactile.

**DE**

**INSTALLATIONSANMERKUNGEN:**

1. Wählen Sie eine Installationshöhe, die eine direkte Blicklinie ermöglicht
2. Installieren Sie dieses Produkt nicht im direkten Sonnenlicht
3. Beachten Sie die Hinweise zur Montage des Zierrahmens. Gehen Sie hierbei vorsichtig vor, um die Oberfläche des Touch Panels nicht zu beschädigen.

