

**MDT Switch Actuator compact MDRC 2-fold/ 4-fold/ 8-fold/ 16-fold**

**MDT Switch Actuator surface mounted 8-fold**

**MDT Switch Actuator flush mounted 1-fold/ 2-fold**

Version		
AKK-0216.01	Switch Actuator 2-fold	2TE REG, 230VAC, 16A
AKK-0406.01	Switch Actuator 4-fold	2TE REG, 230VAC, 6A
AKK-0816.01	Switch Actuator 8-fold	4TE REG, 230VAC, 16A
AKK-0810.01	Switch Actuator 8-fold	4TE REG, 230VAC, 10A
AKK-1616.01	Switch Actuator 16-fold	8TE REG, 230VAC, 16A
AKK-1610.01	Switch Actuator 16-fold	8TE REG, 230VAC, 10A
AKK-0810A.01	Switch Actuator 8-fold	Surface mounted, 230VAC, 10A
AKK-01UP.01	Switch Actuator 1-fold	Flush mounted, 230VAC, 16A
AKK-02UP.01	Switch Actuator 2-fold	Flush mounted, 230VAC, 6A

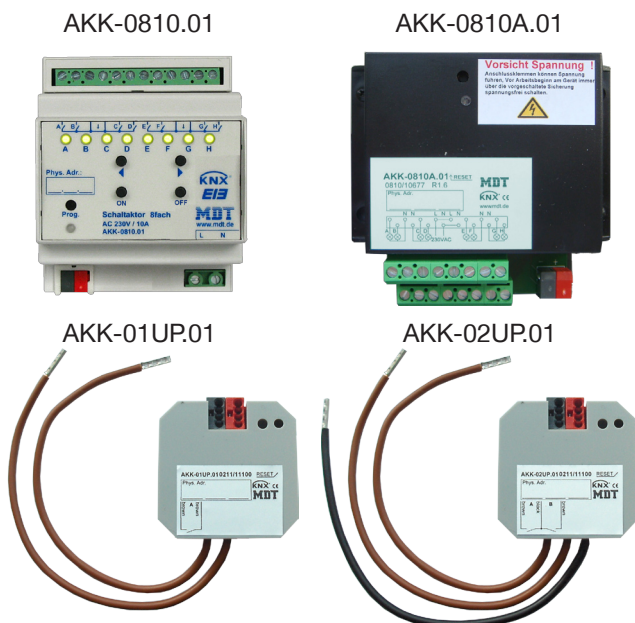
The MDT Switch Actuators AKK receive KNX/EIB telegrams and switch up to 16 independent electrical loads . Each output uses a monostable relay.

The outputs are parameterized individually via ETS3/4. The device provides extensive functions like logical operation, status response, block functions, central function, delay functions and staircase lighting function. Additionally the device provides several time and scene control.

If the mains voltage fails, all outputs were switched off. After mains voltage recovery the relay position will be restored. After bus voltage failure or recovery the relay position is selected in dependence on the parameterization. The Switch Actuator is available as modular installation device, surface mounted device and flush mounted device for fixed installation in dry rooms.

The MRDC Switch Actuators use a common power supply terminal for four channels. The surface mounted and flush mounted Switch Actuators have a common power supply terminal. This feature simplifies the wiring and increases clarity of the circuit.

For project design and commissioning of the Switch Actuator it is recommended to use the ETS3f/ETS4 or later. Please download the application software at [www.mdt.de/downloads](http://www.mdt.de/downloads).



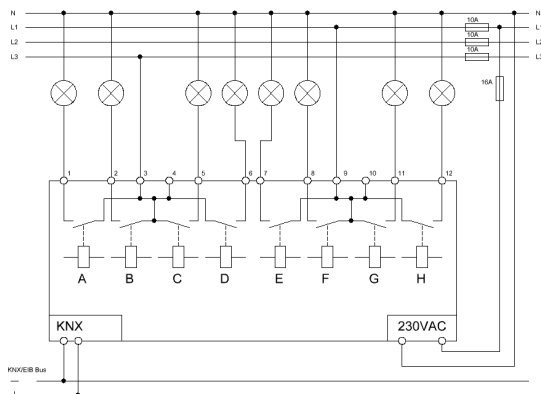
- production in Germany, certified according to ISO 9001
- modern design
- fully compatible to all KNX/EIB devices
- Push Button and LED indicator for each channel
- NO and NC contact operation
- Time functions (switch-on/switch-off delay, staircase light function)
- Status response (active/passive) for each channel
- Logical linking of binary data, 8 scenes per channel
- Central switching functions and block functions
- Programmable behavior in case of bus voltage failure or return
- Four contacts share one supply phase (MDRC device)
- Common supply phase (UP and AP device)
- Integrated bus coupling unit
- 3 years warranty

Technical Data	AKK-01UP.01 AKK-02/08/1616.01	AKK-08/1610.01 AKK-0810A.01	AKK-02UP.01 AKK-0406.01
<b>Configuration</b>			
Number of outputs	1/2/8/16	8/16	2/4
<b>Power supply</b>			
Supply voltage	230VAC / 50Hz	230VAC / 50Hz	via Bus
Output voltage	230VAC	230VAC	230VAC
<b>Power Consumption</b>	<0,3/0,5W ***	<0,5W	<0,3W
<b>Output switching current</b>			
Ohmic load	16A	10A **	6A **
capacitive load	21uF at 10A	21uF	7uF at 3A
<b>Maximum inrush current</b>	80A/150µs - 40A/600µs	80A/150µs - 40A/600µs	30A/150µs - 15/600µs
<b>Maximum load</b>			
Incandescent lamps	2300W	1900W	1000W
Halogen lamps 230V	2000W	1400W	800W
Halogen lamps, electronic transformer**	800W	500W	300W
Fluorescent lamps, not compensated	800W	500W	300W
Fluorescent lamps, parallel comp.	180W	120W	60W
max. number of electronic transformers	3	3	1
<b>Output life expectancy (mechanical)</b>	1.000.000	1.000.000	1.000.000
<b>max. fuse per channel</b>	16A	10A	6A
<b>permitted wire gauge</b>			
Screw terminal	2,5mm <sup>2</sup> ****	2,5mm <sup>2</sup> ****	2,5mm <sup>2</sup> ****
KNX busconnection terminal	0,8mm <sup>2</sup>	0,8mm <sup>2</sup>	0,8mm <sup>2</sup>
<b>Operation temperature range</b>	0 to + 45°C	0 to + 45°C	0 to + 45°C
<b>Enclosure</b>	IP 20	IP 20	IP 20
<b>Dimensions MDRC</b>	2/4/8 TE	4/8 TE	4 TE
<b>Dimensions UP/AP (W x H x D)</b>	41mm x 41mm x 24mm	100mm x 40mm x 88mm	41mm x 41mm x 24mm

\* the total current of each supply terminal should not exceed maximum output switching current.  
 \*\* not suitable to switch AC outlets

\*\*\* AKK 01/02 <0,3W, 8/16-fold device <0,5W  
 \*\*\*\* UP device with cable connections

**Exemplary circuit diagram AKK-0810.01**



**Exemplary circuit diagram AKK-0810A.01**

