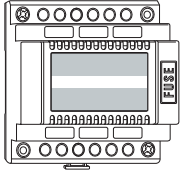


Power supply REG, AC 24 V/1 A

Operating instructions



Art. no. MTN663529

For your safety



Risk of fatal injury from electrical current.

All work carried out on the device may only be performed by skilled electricians. The country-specific regulations and the valid KNX guidelines must be followed.



Caution!

All devices that are installed next to the power supply unit must be equipped with basic insulation at least.



Caution!

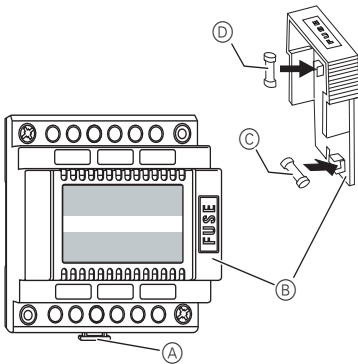
Safety clearance must be guaranteed as per DIN EN 60644-1. A distance of at least 4 mm must be maintained between individual cores of the 230 V cable and the bus line

Getting to know the power supply unit

The power supply unit REG, AC 24 V/1 A (referred to below as the **power supply unit**) delivers extra-low safety voltage (SELV) of AC 24 V to supply devices with a maximum current consumption of 1 A.

It is intended to be installed on a DIN rail.

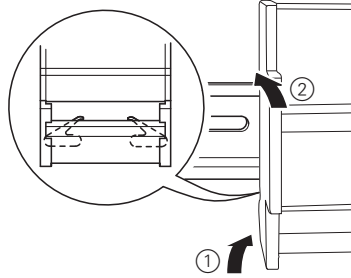
Connections, displays and operating elements



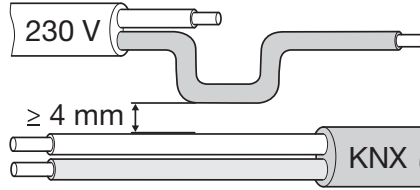
- (A) Clamping spring
- (B) Fuse holder
- (C) Protection
- (D) Spare fuse

How to install the power supply unit

- ① Insert the power supply into the DIN rail with the clamping spring facing down and suspend it in the rail.



- ② Connect the KNX.



CAUTION

Risk of fatal injury from electrical current. The device may become damaged

A safety clearance from the KNX line to 230 V cables must be guaranteed. Always place the cable cover over the KNX connecting terminal.

- ③ Connect mains voltage.



Pull out the clamping spring (e.g. with a screwdriver) first to remove the power supply from the DIN rail.

How to change the fuse

The power supply has an integrated fuse in a fuse holder.

Replacing the fuse:

- ① Switch off the mains voltage of the power supply.
- ② Pull the fuse holder (B) out upward.
- ③ Replace lower fuse (C) with a new one (T 160 mA). The fuse holder has room for a spare fuse (D).

Technical data

Mains input:	AC 230 V, 50 - 60 Hz
Output voltage:	AC 24 V
Output current:	1 A
Ambient temperature:	-20 °C to +40 °C
Connections	Screw-on terminals for 0.5 - 2.5 mm ²
Installation width:	5 pitches = 90 mm
Dimensions:	87.5 x 93 x 66.5 mm (HxWxD)

Schneider Electric Industries SAS

If you have technical questions, please contact the Customer Care Center in your country.

www.schneider-electric.com

This product must be installed, connected and used in compliance with prevailing standards and/or installation regulations. As standards, specifications and designs develop from time to time, always ask for confirmation of the information given in this publication.