

Connector REG 191/01  
2-fold

5WG1 191-5AB01

## Product and Applications Description



The REG 191/01 connector creates a connection between the data rails within a distributor cabinet or between a data rail and the bus line installed in the building.

The connection to the data rail is established via pressure contacts that are connecting to both inner printed conductors by clicking it onto the DIN-rail.

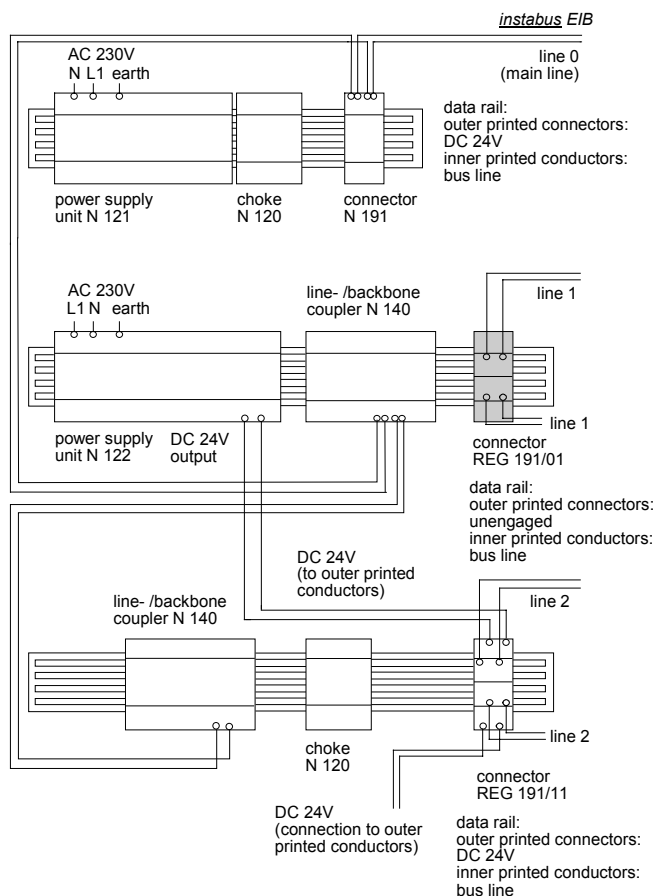
Up to four bus lines can be connected to two screwless bus connection blocks (to be ordered separately).

The REG 191/01 connector is a small-scale DIN rail mounted device for placing under distributor-cabinet covers.

## Application Programs

No application programs required

## Example of Operation



## Installation Instructions

- The device may be used for permanent interior installations in dry locations within distribution boards.



### WARNING

- The device may be built into distribution boards (230/400V) together with appropriate VDE-devices only and must be mounted and commissioned by an authorised electrician.
- Free DIN rail areas must be covered with covers, order no. 5WG1 192-8AA01.
- The prevailing safety rules must be heeded.
- The device must not be opened. A device suspected faulty should be returned to the local Siemens office.

## Technical Specifications

### Connections

- bus line:
  - two screwless bus connection blocks
  - $\varnothing 0,6 \dots 0,8$  mm single core (order separately)
  - pressure contacts on data rail

### Physical specifications

- housing: plastic
- dimensions: N-system DIN-rail mounted device, width: 1 SU (1 SU = 18 mm)
- weight: approx. 45 g
- fire load: approx. 900 kJ  $\pm$  10 %
- installation: rapid mounting on DIN EN 50022-35 x 7,5 rail

### Electrical safety

- fouling class (according to IEC 664-1): 2
- protection (according to EN 60529): IP 20
- protection class (according to IEC 1140): III
- overvoltage class (according to IEC 664-1): III
- bus: safety extra low voltage SELV DC 24 V
- device complies with EN 50 090-2-2 and IEC 664-1: 1992

### Reliability

rate of failure: 2 fit at 40 °C

### Electromagnetic compatibility

complies with EN 50081-1, EN 50082-2 and EN 50090-2-2

### Environmental specifications

- climatic conditions: EN 50090-2-2
- ambient temperature operating: - 5 ... + 45 °C
- ambient temperature non-op.: - 25 ... + 70 °C
- relative humidity (non-condensing): 5 % to 93 %

### Certification

EIB certificate

### CE norm

complies with the EMC regulations (residential and functional buildings), and low voltage regulations

## Location and Function of the Display and Operator Elements

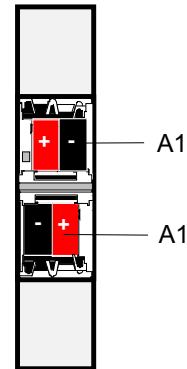


Figure 1: Terminals of the connector

A1 Bus connection block

## Mounting and Wiring

### General description

The N-system DIN-rail device (1 SU) can be installed to N-system distribution boards, surface or flush mounted, or to any DIN-rail EN 50022-35 x 7,5 available that has a data rail installed.

The connection to the bus line is established by clicking the device onto the DIN-rail (with a data rail installed). Take care that the type plates of all devices on a DIN-rail can be read in the same direction, guaranteeing the devices are polarised correctly.

### Mounting DIN-rail devices (Figure 2)

- Slide the device (B1) onto the DIN-rail (B2) and
- swivel back the device (B1) until the slide clicks into place audibly.

### Dismounting DIN-rail devices (Figure 2)

- Remove all connected wires,
- press down the slide (C3) with a screw-driver, click it into place by a slight pressure and
- swivel the device (C1) from the DIN-rail (C2).

**Connector REG 191/01** **5WG1 191-5AB01**  
**2-fold**

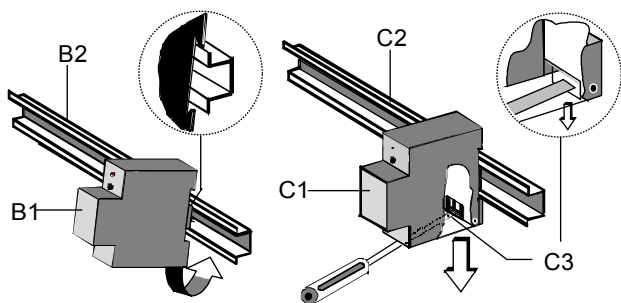


Figure 2: Mounting and dismounting a DIN-rail device

Slipping on the bus connection block

- slip the bus connection block (D1) onto the guide slot and
- press the bus connection block (D1) down to the stop

Connecting the bus connection line (figure 3)

- The connection block (D2) can be used with single core conductors  $\varnothing 0,6 \dots 0,8$  mm.
- Remove approx. 5 mm of insulation from the conductor (D2.4) and plug it into the connection block (D2) (red = +, black = -).

Disconnecting the bus connection line (figure 3)

- Unplug the bus connection block (D2) and remove the bus cable conductor (D2.4) while simultaneously wiggling it.

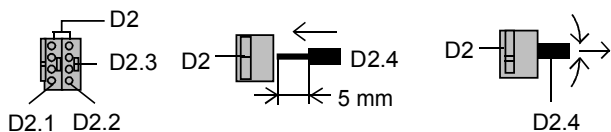
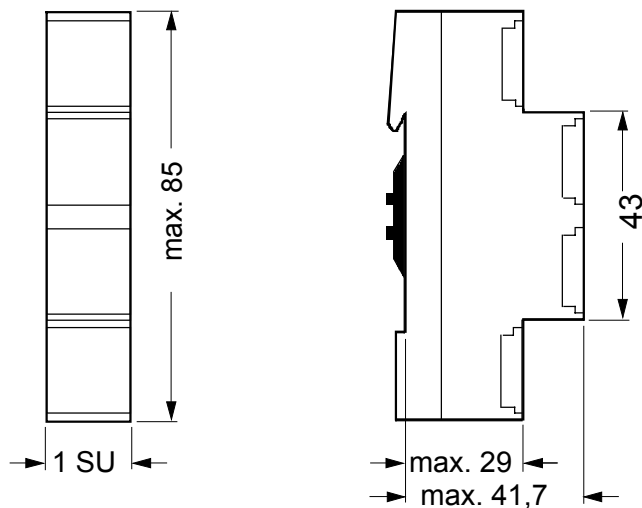


Figure 3: Connecting and disconnecting the bus connection line

**Dimension Diagram**

Dimensions in mm



1 SU = 18 mm

**Notes**