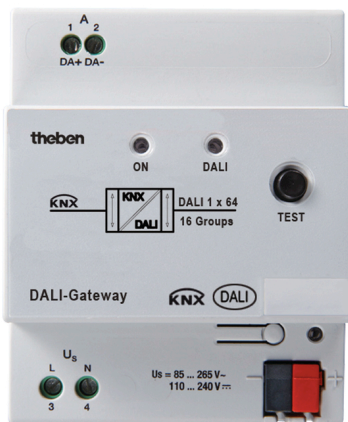


**DALI Gateway KNX**

**Article number: 9070722**

**Description**

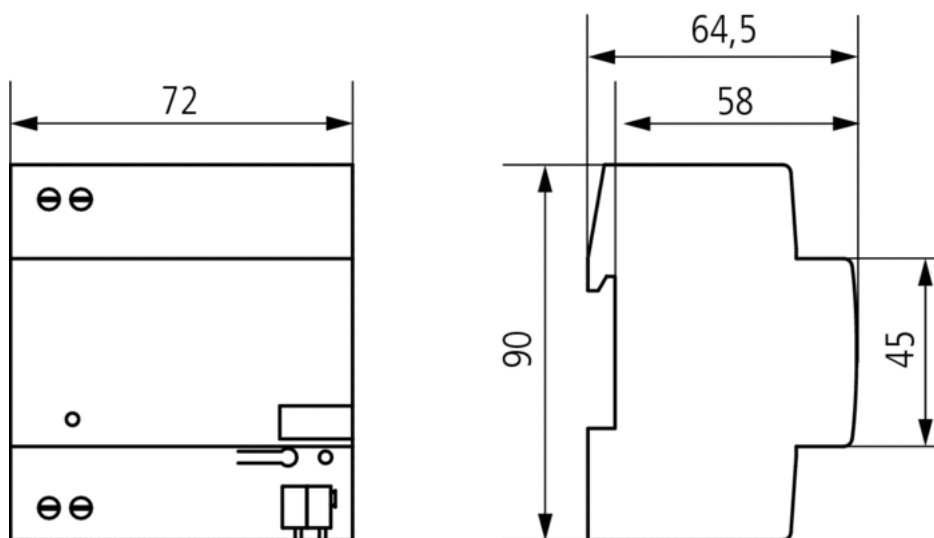


- The DALI Gateway KNX serves as an interface between the the DALI and the KNX system
- The group-oriented DALI gateway (16 groups) is used to control operating devices equipped with a DALI interface (e.g. electronic ballasts, LED converters, transformers etc.)
- A maximum of 64 DALI members can be connected to a DALI output. Every DALI member automatically receives a random DALI address through the gateway
- The assignment of the individual DALI members in groups of lights is performed using a separate software tool. Every group of lights can be addressed and monitored via the KNX

**Technical data**

Operating voltage KNX	Bus voltage, <10 mA
Operating voltage	110 – 240 V AC/DC
Frequency	50 – 60 Hz
Width	4 modules
Installation type	DIN rail
Type of connection	Screw terminals
Ambient temperature	-5 °C ... +45 °C
Stock temperature	-25 °C ... +55 °C
Protection class	II
Type of protection	IP 20

**Scale drawings**



### Connection example

